



## ■ U-Cup RU0

### Description

Today U-Cups are used primarily as seals for piston rods in hydraulic cylinders. U-Cups in polyurethane are proven elements, due to their good mechanical properties, for standard cylinder construction, particularly for mobile hydraulics under rough operating conditions.

The U-Cup is a single lip seal.

### Type RU0

The U-Cup type RU0 is installed as a single-acting single-lip compact seal. The seal is installed with a simple snap fitting and seals statically on the outside diameter via a fixed seat. It has an asymmetric seal lip profile with shortened inner lip. This form can absorb deflections in the piston rod more easily than, e.g. U-Cup Form RU2 with its more rigid lip geometry. In pressure-free state, it exhibits lower frictional forces than double-lipped U-Cups.

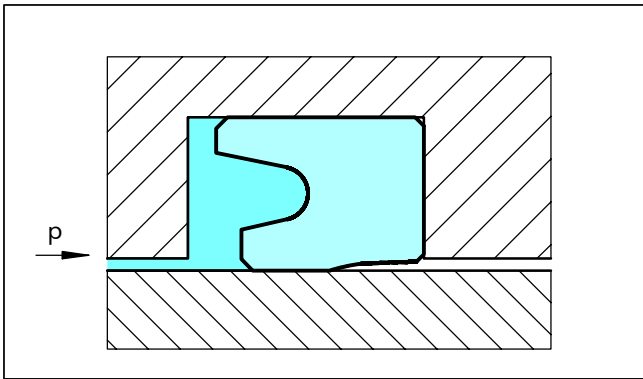


Figure 35 U-Cup, type RU0

### Method of Operation

The sealing effect of the U-Cup comes from the intrinsic preload of the seal body and from the compression of the seal lips during installation. In operating condition, the radial mechanical contact forces are superimposed by the system pressure.

At low stroke speeds, U-Cups can tend to have a stick-slip effect due to an inadequate lubrication film formation in the seal clearance and to their material properties. This behaviour corresponds to the Stribeck curve described in the relevant literature.

### Advantages

- Good pressure-adapted sealing effect
- Unaffected by high loads and deflections of the piston rod
- Good resistance to clearance extrusion
- Simple installation
- Lower friction in the low pressure range compared with double-lipped versions.

### Technical Data

Operating pressure:	Max. 40 MPa
Speed:	Up to 0.5 m/s
Temperature:	Use in mineral oils: -30°C to + 80°C
Media:	Mineral oil-based hydraulic fluids.

#### Important Note:

The above data are maximum values and cannot be used at the same time. e.g. the maximum operating speed depends on material type, pressure, temperature and gap value.

### Seal clearance

Guide values for the radial clearance between rod and gland in relation to the operating pressure and rod diameter can be found in Table XX.

Table XX Clearance

Operating max. Pressure MPa	Radial Clearance S max.	
	$d_N < 60$ mm	$d_N > 60$ mm
5	0.40	0.50
10	0.30	0.40
20	0.20	0.30
30	0.15	0.20
40	0.10	0.15

The values for S max given in this table apply to all types for the low-pressure side of the U-Cup. They are designed for an operating temperature of 60°C.

### Material

The thermoplastic polyurethane material used for U-Cups has a high abrasion resistance, a low compression set and exhibits a high resistance to clearance extrusion.

WUAQ3	turquoise color
WU9L3	blue color
UAT60	red color

### Design and Installation Instructions

The different forms have different grooves, see Tables XXI and XXII. U-Cups are used together with single-acting scrapers.



# U-Cup RU0

## Installation Recommendation

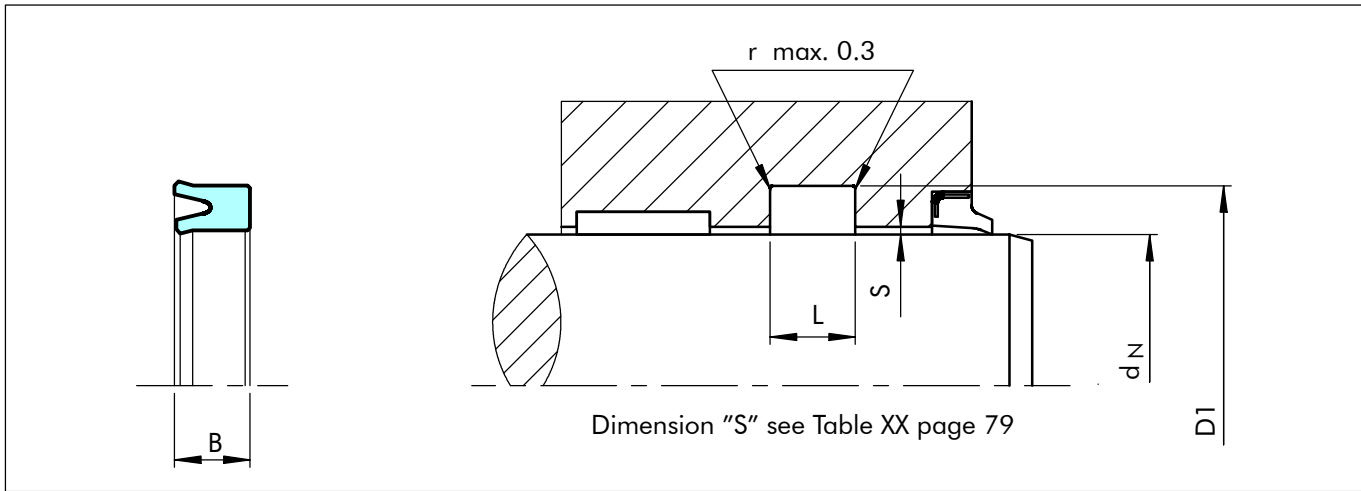


Figure 36 Installation drawing

Table XXI Preferred Series / Part No.

Note	Rod Diameter	Groove Diameter	Groove Width	Seal Width	Part No.	B+S Ref.	Sealing Parts Ref. No		Polypac Ref. No.
							Material Code		
	$d_N$ f8/h9	D1 H10	L +0.2	B		WUAQ3	WU9L3	UAT60	
	6.0	12.0	5.8	5.5	RU0000060	-	RS 6 12/1	-	
*	<b>6.0</b>	<b>14.0</b>	<b>6.3</b>	<b>5.7</b>	<b>RU0100060</b>	-	<b>RS 6 14</b>	-	
	8.0	14.4	10.5	9.5	RU0000080	-	RS 8 14.1/1	-	
*	<b>8.0</b>	<b>16.0</b>	<b>6.3</b>	<b>5.7</b>	<b>RU0100080</b>	-	<b>RS 8 16</b>	-	
*	8.0	18.0	9.0	8.0	RU0200080	-	RS 8 18/1	-	
*	<b>10.0</b>	<b>18.0</b>	<b>6.3</b>	<b>5.7</b>	<b>RU0100100</b>	-	<b>RS 10 18</b>	-	
*	<b>10.0</b>	<b>20.0</b>	<b>8.0</b>	<b>7.2</b>	<b>RU0200100</b>	-	<b>RS 10 20</b>	-	
*	10.0	20.0	9.0	8.0	RU0000100	●	RS 10 20/1	-	
*	12.0	20.0	5.5	5.0	RU0100120	●	-	-	
*	12.0	20.0	6.4	5.7	RU0200120	-	RS 12 20	EU 1220	
*	12.0	22.0	8.0	7.2	RU0300120	-	RS 12 22	-	
*	12.0	22.0	9.0	8.0	RU0000120	●	RS 12 22/1	-	
*	14.0	22.0	6.3	5.7	RU0000140	-	RS 14 22	EU 1422	
*	14.0	24.0	8.0	7.2	RU0100140	-	RS 14 24	-	
*	14.0	24.0	9.0	8.0	RU0200140	-	RS 14 24 /1	-	
*	15.0	23.0	6.3	5.7	RU0000150	-	RS 15 23	EU 1523/1	
*	15.0	25.0	9.0	8.0	RU0100150	-	RS 15 25/1	-	
	16.0	20.6	3.6	3.3	RU0100160	-	RS 16 20.6	-	
	16.0	22.0	6.0	5.0	RU0000160	●	-	-	
*	<b>16.0</b>	<b>24.0</b>	<b>6.3</b>	<b>5.7</b>	<b>RU0200160</b>	●	<b>RS 16 24</b>	<b>EU 1624</b>	
*	16.0	24.0	7.0	6.2	RU0300160	-	RS 16 24/1	-	

● Available sizes - Not available RS/EU Production No. available sizes  
 Dimensions printed in **bold** type correspond to ISO/DIN 5597 and ISO 5597. \* Split groove  
 The listed products are technically equivalent but availability and pricing may vary.

# U-Cup RU0



Note	Rod Diameter	Groove Diameter	Groove Width	Seal Width	Part No.	B+S Ref.	Sealing Parts Ref. No	Polypac Ref. No.
	$d_N$ f8/h9	D1 H10	L +0.2	B		Material Code		
						WUAQ3	WU9L3	UAT60
*	<b>16.0</b>	<b>26.0</b>	<b>8.0</b>	<b>7.2</b>	<b>RU0400160</b>	-	<b>RS 16 26</b>	<b>EU 1626</b>
*	16.0	26.0	9.0	8.0	RU0500160	-	RS 16 26/1	-
*	16.0	26.0	10.0	9.0	RU0600160	-	RS 16 26/2	-
	18.0	24.0	5.3	4.7	RU0200180	●	RS 18 24	EU 1824
	18.0	24.0	6.0	5.0	RU0000180	●	-	-
*	<b>18.0</b>	<b>26.0</b>	<b>6.3</b>	<b>5.7</b>	<b>RU0300180</b>	-	<b>RS 18 26</b>	<b>EU 1826/1</b>
*	18.0	26.0	9.0	8.0	RU0400180	-	RS 18 26/1	EU 1826
*	<b>18.0</b>	<b>28.0</b>	<b>8.0</b>	<b>7.2</b>	<b>RU0500180</b>	-	<b>RS 18 28</b>	<b>EU 1828</b>
*	18.0	28.0	9.0	8.0	RU0600180	-	RS 18 28/1	-
*	18.0	34.0	9.0	8.0	RU0100180	●	-	-
	20.0	26.0	6.0	5.0	RU0000200	●	RS 20 26/1	-
*	20.0	28.0	6.0	5.0	RU0200200	●	-	-
*	<b>20.0</b>	<b>28.0</b>	<b>6.3</b>	<b>5.7</b>	<b>RU0300200</b>	-	<b>RS 20 28</b>	<b>EU 2028</b>
*	20.0	28.0	7.0	6.2	RU0400200	-	RS 20 28/1	-
*	20.0	28.0	8.0	7.2	RU0500200	-	RS 20 28/2	-
*	<b>20.0</b>	<b>30.0</b>	<b>8.0</b>	<b>7.2</b>	<b>RU0600200</b>	-	<b>RS 20 30</b>	<b>EU 2030</b>
*	20.0	30.0	9.0	8.0	RU0700200	-	RS 20 30/2	-
*	20.0	30.0	11.0	10.0	RU0100200	●	RS 20 30/1	-
*	20.0	35.0	11.0	10.0	RU0800200	-	RS 20 35	-
*	<b>22.0</b>	<b>30.0</b>	<b>6.4</b>	<b>5.7</b>	<b>RU0200220</b>	-	<b>RS 22 30</b>	EU 2230/1
*	22.0	30.0	9.0	8.0	RU0000220	●	-	EU 2230
*	<b>22.0</b>	<b>32.0</b>	<b>8.0</b>	<b>7.2</b>	<b>RU0300220</b>	-	<b>RS 22 32</b>	<b>EU 2232/1</b>
*	22.0	32.0	9.0	8.0	RU0100220	●	RS 22 32/1	-
*	<b>22.0</b>	<b>32.0</b>	<b>10.0</b>	<b>9.0</b>	<b>RU0400220</b>	-	-	<b>EU 2232</b>
*	<b>22.0</b>	<b>32.0</b>	<b>11.0</b>	<b>10.0</b>	<b>RU0500220</b>	-	<b>RS 22 32/2</b>	-
	24.0	34.0	8.0	7.2	RU0000240	-	RS 24 34	-
	24.0	34.0	9.5	8.5	RU0100240	-	RS 24 34/1	-
	25.0	32.0	7.0	6.0	RU0000250	●	-	-
	<b>25.0</b>	<b>33.0</b>	<b>6.3</b>	<b>5.7</b>	<b>RU0500250</b>	●	<b>RS 25 33</b>	<b>EU 2533</b>
	25.0	33.0	7.0	6.3	RU0200250	-	RS 25 33/3	-
*	25.0	33.0	8.0	7.2	RU0600250	-	RS 25 33/1	-
*	25.0	33.0	11.0	10.0	RU0100250	●	RS 25 33/2	-
*	<b>25.0</b>	<b>35.0</b>	<b>8.0</b>	<b>7.2</b>	<b>RU0700250</b>	-	<b>RS 25 35</b>	<b>EU 2535</b>
*	25.0	35.0	9.0	8.0	RU0300250	●	RS 25 35/2	-
*	25.0	35.0	11.0	10.0	RU0800250	-	RS 25 35/1	-
*	<b>25.0</b>	<b>38.0</b>	<b>10.0</b>	<b>9.0</b>	<b>RU0900250</b>	-	<b>RS 25 38/1</b>	-

● Available sizes      - Not available      RS/EU Production No. available sizes  
 Dimensions printed in **bold** type correspond to ISO/DIN 5597 and ISO 5597.      \* Split groove  
 The listed products are technically equivalent but availability and pricing may vary.



# U-Cup RU0

Note	Rod Diameter	Groove Diameter	Groove Width	Seal Width	Part No.	B+S Ref.	Sealing Parts Ref. No.	Polypac Ref. No.
	$d_N$ f8/h9	D1 H10	L +0.2	B		Material Code		
						WUAQ3	WU9L3	UAT60
*	25.0	40.0	11.0	10.0	RU0400250	●	RS 25 40	-
	28.0	36.0	6.3	5.7	RU0000280	-	RS 28 36	EU 2836
*	<b>28.0</b>	<b>38.0</b>	<b>8.0</b>	<b>7.2</b>	<b>RU0100280</b>	-	<b>RS 28 38</b>	<b>EU 2838</b>
*	28.0	38.0	9.0	8.0	RU0200280	-	RS 28 38/1	-
*	28.0	38.0	11.0	10.0	RU0300280	-	RS 28 38/2	-
*	28.0	40.0	9.5	8.5	RU0400280	-	RS 28 40	-
*	28.0	40.0	11.0	10.0	RU0500280	-	RS 28 40/1	-
*	<b>28.0</b>	<b>43.0</b>	<b>12.5</b>	<b>11.5</b>	<b>RU0600280</b>	-	<b>RS 28 43</b>	-
	29.0	35.0	6.3	5.6	RU0000290	-	RS 29 35	-
	<b>30.0</b>	<b>38.0</b>	<b>6.3</b>	<b>5.7</b>	<b>RU0100300</b>	●	<b>RS 30 38</b>	<b>EU 3038</b>
	30.0	38.0	9.0	8.0	RU0400300	-	RS 30 38/1	-
	30.0	40.0	6.3	5.7	RU0500300	-	RS 30 40/3	-
	30.0	40.0	8.0	7.2	RU0600300	-	RS 30 40	EU 3040
	30.0	40.0	10.5	9.5	RU0700300	-	RS 30 40/2	-
	30.0	40.0	11.0	10.0	RU0000300	●	RS 30 40/1	EU 3040/1
*	30.0	43.0	10.0	9.0	RU0200300	●	RS 30 43	-
*	30.0	45.0	9.0	8.0	RU0800300	-	RS 30 45/1	-
*	30.0	45.0	11.0	10.0	RU0900300	-	RS 30 45	-
	32.0	40.0	6.3	5.7	RU0200320	●	RS 32 40	-
	32.0	40.0	9.0	8.0	RU0300320	-	RS 32 40/1	EU 3240
	<b>32.0</b>	<b>42.0</b>	<b>8.0</b>	<b>7.2</b>	<b>RU0400320</b>	-	<b>RS 32 42</b>	<b>EU 3242</b>
	32.0	42.0	9.0	8.0	RU0000320	●	-	-
	32.0	42.0	11.0	10.0	RU0500320	-	RS 32 42/1	EU 3242/1
	32.0	42.5	9.0	8.0	RU0600320	-	RS 32 42.5/1	-
*	<b>32.0</b>	<b>45.0</b>	<b>10.5</b>	<b>9.5</b>	<b>RU0800320</b>	-	<b>RS 32 45/1</b>	-
*	<b>32.0</b>	<b>45.0</b>	<b>11.0</b>	<b>10.0</b>	<b>RU0100320</b>	●	-	<b>EU 3245</b>
*	32.0	47.0	11.0	10.0	RU0700320	-	RS 32 47/1	-
	33.0	43.0	11.0	10.0	RU0000330	-	RS 33 43/1	-
	35.0	43.0	6.3	5.7	RU0200350	-	RS 35 43	EU 3543
	35.0	45.0	8.0	7.2	RU0100350	●	RS 35 45	EU 3545
	35.0	45.0	9.0	8.0	RU0300350	-	RS 35 43/1	-
	35.0	45.0	11.0	10.0	RU0000350	●	RS 35 45/1	EU 3545/1
*	35.0	45.0	13.5	12.5	RU0400350	-	RS 35 45/2	-
*	35.0	46.0	9.0	8.0	RU0500350	-	RS 35 46	-
*	35.0	46.0	10.0	9.0	RU0600350	-	RS 35 46/1	-
*	35.0	47.0	9.0	8.0	RU0700350	-	-	EU 3547

● Available sizes - Not available RS/EU Production No. available sizes  
 Dimensions printed in **bold** type correspond to ISO/DIN 5597 and ISO 5597. \* Split groove  
 The listed products are technically equivalent but availability and pricing may vary.

# U-Cup RU0



Note	Rod Diameter	Groove Diameter	Groove Width	Seal Width	Part No.	B+S Ref.	Sealing Parts Ref. No.	Polypac Ref. No.
	$d_N$ f8/h9	D1 H10	L +0.2	B		Material Code		
						WUAQ3	WU9L3	UAT60
*	35.0	50.0	11.0	10.0	RU0800350	-	RS 35 50	EU 3550
*	35.0	55.0	13.0	12.0	RU0900350	-	RS 35 55	-
	36.0	44.0	6.4	5.3	RU0000360	-	-	EU 3644
	36.0	44.0	9.0	8.0	RU0300360	●	-	-
	<b>36.0</b>	<b>46.0</b>	<b>8.0</b>	<b>7.0</b>	<b>RU0100360</b>	●	<b>RS 36 46</b>	<b>EU 3646</b>
	36.0	46.0	11.0	10.0	RU0200360	●	RS 36 46/1	-
*	36.0	48.0	8.0	7.0	RU0400360	-	RS 36 48/1	-
*	36.0	48.0	9.0	8.0	RU0500360	-	RS 36 48	-
*	36.0	51.0	11.0	10.0	RU0600360	-	RS 36 51	-
*	<b>36.0</b>	<b>51.0</b>	<b>12.5</b>	<b>11.5</b>	<b>RU0700360</b>	-	<b>RS 36 51/1</b>	-
	37.0	45.0	6.3	5.7	RU0000370	-	RS 37 45	-
	38.0	44.5	5.3	4.7	RU0100380	-	RS 38 44.5	-
	38.0	45.0	5.5	5.0	RU0200380	-	RS 38 45	-
	<b>38.0</b>	<b>45.0</b>	<b>7.0</b>	<b>6.2</b>	<b>RU0300380</b>	-	<b>RS 38 45/1</b>	<b>EU 3845</b>
	40.0	48.0	6.3	5.7	RU0200400	-	RS 40 48	-
	40.0	48.0	9.0	8.0	RU0300400	-	-	EU 4048
	40.0	49.5	10.5	9.5	RU0400400	-	RS 40 49.5/1	-
	<b>40.0</b>	<b>50.0</b>	<b>8.0</b>	<b>7.2</b>	<b>RU0500400</b>	-	<b>RS 40 50</b>	<b>EU 4050/2</b>
	40.0	50.0	10.0	9.0	RU0600400	-	-	EU 4050
	<b>40.0</b>	<b>50.0</b>	<b>11.0</b>	<b>10.0</b>	<b>RU0000400</b>	●	<b>RS 40 50/1</b>	<b>EU 4050/1</b>
	40.0	50.0	13.5	12.5	RU0700400	-	RS 40 50/2	-
*	40.0	52.0	9.0	8.0	RU0800400	-	RS 40 52	EU 4052
*	40.0	55.0	11.0	10.0	RU0100400	●	RS 40 55	EU 4055
*	<b>40.0</b>	<b>55.0</b>	<b>12.5</b>	<b>11.5</b>	<b>RU0900400</b>	-	<b>RS 40 55/1</b>	-
*	40.0	60.0	13.0	12.0	RU0A00400	-	RS 40 60	-
*	42.0	62.0	11.0	10.0	RU0000420	-	RS 42 62/1	-
*	42.0	62.0	13.0	12.0	RU0100420	-	RS 42 62	-
	45.0	53.0	6.3	5.7	RU0100450	-	RS 45 53	EU 4553
	45.0	53.0	11.0	10.0	RU0200450	-	RS 45 53/2	-
	45.0	53.0	13.0	12.0	RU0300450	-	RS 45 53/1	-
	<b>45.0</b>	<b>55.0</b>	<b>8.0</b>	<b>7.2</b>	<b>RU0400450</b>	-	<b>RS 45 55</b>	<b>EU 4555/1</b>
	45.0	55.0	11.0	10.0	RU0500450	-	RS 45 55/1	EU 4555
	45.0	57.7	10.5	9.5	RU0600450	-	RS 45 57.7/1	-
*	45.0	58.0	10.0	9.0	RU0700450	-	RS 45 58/1	-
*	<b>45.0</b>	<b>60.0</b>	<b>11.0</b>	<b>10.0</b>	<b>RU0800450</b>	-	<b>RS 45 60</b>	<b>EU 4560</b>
*	45.0	60.0	12.5	11.5	RU0900450	-	RS 45 60/1	-

● Available sizes      - Not available      RS/EU Production No. available sizes  
 Dimensions printed in **bold** type correspond to ISO/DIN 5597 and ISO 5597.      \* Split groove  
 The listed products are technically equivalent but availability and pricing may vary.



## U-Cup RU0

Note	Rod Diameter	Groove Diameter	Groove Width	Seal Width	Part No.	B+S Ref.	Sealing Parts Ref. No.	Polypac Ref. No.
	$d_N$ f8/h9	D1 H10	L +0.2	B		Material Code		
						WUAQ3	WU9L3	UAT60
*	45.0	65.0	11.0	10.0	RU0A00450	-	RS 45 65/2	-
*	45.0	65.0	13.0	12.0	RU0B00450	-	RS 45 65	-
*	45.0	65.0	14.5	13.5	RU0C00450	-	RS 45 65/1	-
	46.0	56.0	8.0	7.2	RU0000460	-	RS 46 56	-
	<b>50.0</b>	<b>60.0</b>	<b>8.0</b>	<b>7.2</b>	<b>RU0000500</b>	●	<b>RS 50 60</b>	<b>EU 5060/1</b>
	50.0	60.0	11.0	10.0	RU0100500	-	RS 50 60/1	EU 5060
	50.0	60.0	13.0	12.0	RU0200500	-	RS 50 60/2	-
	50.0	62.0	9.0	8.0	RU0300500	-	RS 50 62	-
	50.0	62.0	10.0	9.0	RU0500500	-	-	EU 5062
	50.0	62.7	10.5	9.5	RU0600500	-	RS 50 62.7/1	-
	50.0	63.0	11.0	10.0	RU0700500	-	-	EU 5063
	50.0	65.0	11.0	10.0	RU0400500	-	RS 50 65	EU 5065/1
	<b>50.0</b>	<b>65.0</b>	<b>12.5</b>	<b>11.5</b>	<b>RU0800500</b>	-	<b>RS 50 65/1</b>	<b>EU 5065</b>
*	50.0	68.0	10.0	9.0	RU0900500	-	RS 50 68/1	-
*	50.0	70.0	11.0	10.0	RU0A00500	-	RS 50 70/1	-
*	50.0	70.0	13.0	12.0	RU0B00500	-	RS 50 70/1	-
*	50.0	70.0	14.5	13.5	RU0C00500	-	RS 50 70/2	-
	52.0	62.0	11.0	10.0	RU0000520	●	-	-
	52.0	62.0	13.0	12.0	RU0100520	●	-	-
	55.0	63.0	13.0	12.0	RU0100550	-	RS 55 63/1	-
	55.0	65.0	8.0	7.2	RU0200550	-	RS 55 65	EU 5565/1
	55.0	65.0	11.0	10.0	RU0300550	-	RS 55 65/1	-
	55.0	65.0	13.0	12.0	RU0000550	●	RS 55 65/2	-
	55.0	65.0	14.5	13.5	RU0400550	-	RS 55 65/3	-
	55.0	67.0	11.0	10.0	RU0500550	-	RS 55 67/1	-
	55.0	68.0	11.0	10.0	RU0600550	-	-	EU 5568
	55.0	70.0	11.0	10.0	RU0700550	-	RS 55 70	EU 5570
*	55.0	70.0	13.0	12.0	RU0800550	-	RS 55 70/1	-
*	55.0	75.0	13.0	12.0	RU0900550	-	RS 55 75	-
	55.0	75.0	14.5	13.5	RU0A00550	-	RS 55 75/1	-
	56.0	66.0	11.0	10.0	RU0000560	-	RS 56 66/1	EU 5666
	56.0	71.0	11.0	10.0	RU0100560	-	RS 56 71	EU 5671/1
	<b>56.0</b>	<b>71.0</b>	<b>12.5</b>	<b>11.5</b>	<b>RU0200560</b>	-	<b>RS 56 71/1</b>	-
	56.0	71.0	13.5	12.5	RU0600560	-	-	EU 5671
*	56.0	76.0	13.0	12.0	RU0300560	-	RS 56 76	-
*	56.0	76.0	14.5	13.5	RU0400560	-	RS 56 76/1	-

● Available sizes - Not available RS/EU Production No. available sizes  
 Dimensions printed in **bold** type correspond to ISO/DIN 5597 and ISO 5597. \* Split groove  
 The listed products are technically equivalent but availability and pricing may vary.

# U-Cup RU0



Note	Rod Diameter	Groove Diameter	Groove Width	Seal Width	Part No.	B+S Ref.	Sealing Parts Ref. No.	Polypac Ref. No.
	$d_N$ f8/h9	D1 H10	L +0.2	B		Material Code		
						WUAQ3	WU9L3	UAT60
	<b>56.0</b>	<b>76.0</b>	<b>16.0</b>	<b>15.0</b>	<b>RU0500560</b>	-	<b>RS 56 76/2</b>	-
	60.0	68.0	13.5	12.5	RU0000600	-	-	EU 6068
	60.0	70.0	8.0	7.2	RU0100600	●	RS 60 70	EU 6070/1
	60.0	70.0	11.0	10.0	RU0300600	-	RS 60 70/2	EU 6070
	60.0	70.0	13.0	12.0	RU0400600	-	RS 60 72	-
	60.0	72.0	9.0	8.0	RU0500600	-	RS 60 72/1	-
	60.0	72.0	10.0	9.0	RU0600600	-	RS 60 75	-
	60.0	73.0	11.0	10.0	RU0700600	-	-	EU 6073
	60.0	75.0	11.0	10.0	RU0200600	●	RS 60 75/1	EU 6075
	60.0	75.0	13.0	12.0	RU0800600	-	RS 60 77	-
*	60.0	77.0	12.0	11.0	RU0900600	-	RS 60 80	-
*	60.0	80.0	13.0	12.0	RU0A00600	-	RS 60 80/1	-
	60.0	80.0	14.5	13.5	RU0B00600	-	RS 60 80/1	-
	61.0	69.0	8.5	7.5	RU0000610	-	RS 61 69/1	-
	62.0	74.0	14.0	13.0	RU0000620	-	RS 62 74/1	-
	63.0	73.0	11.0	10.0	RU0100630	-	RS 63 73/1	-
	63.0	73.0	13.0	12.0	RU0200630	-	RS 63 73/2	EU 6373
	63.0	75.0	9.6	8.6	RU0300630	-	-	EU 6375
	63.0	75.0	13.0	12.0	RU0000630	●	-	-
	63.0	78.0	11.0	10.0	RU0400630	-	RS 63 78	EU 6378/1
	<b>63.0</b>	<b>78.0</b>	<b>12.5</b>	<b>11.5</b>	<b>RU0500630</b>	-	<b>RS 63 78/2</b>	<b>EU 6378</b>
*	63.0	78.0	13.0	12.0	RU0600630	-	RS 63 78/1	-
*	63.0	83.0	13.0	12.0	RU0700630	-	RS 63 83	-
*	63.0	83.0	14.5	13.5	RU0800630	-	RS 63 83/1	-
*	<b>63.0</b>	<b>83.0</b>	<b>16.0</b>	<b>15.0</b>	<b>RU0900630</b>	-	<b>RS 63 83/2</b>	-
	65.0	73.0	10.0	9.0	RU0000650	●	-	-
	65.0	75.0	11.0	10.0	RU0100650	-	RS 65 75/3	-
	65.0	75.0	13.0	12.0	RU0200650	-	RS 65 75/1	-
	65.0	75.0	14.5	13.5	RU0300650	-	RS 65 75/2	-
	65.0	77.0	9.6	8.6	RU0400650	-	-	EU 6577
	65.0	77.0	10.0	9.0	RU0500650	-	RS 65 77/1	-
	65.0	80.0	11.0	10.0	RU0600650	-	RS 65 80	EU 6580
	65.0	80.0	13.0	12.0	RU0700650	-	RS 65 80/1	-
*	65.0	85.0	13.0	12.0	RU0800650	-	RS 65 85	-
*	65.0	85.0	14.5	13.5	RU0900650	-	RS 65 85/1	-
	70.0	80.0	6.5	6.0	RU0100700	-	RS 70 80/3	-

● Available sizes      - Not available      RS/EU Production No. available sizes  
 Dimensions printed in **bold** type correspond to ISO/DIN 5597 and ISO 5597.      \* Split groove  
 The listed products are technically equivalent but availability and pricing may vary.



# U-Cup RU0

Note	Rod Diameter	Groove Diameter	Groove Width	Seal Width	Part No.	B+S Ref.	Sealing Parts Ref. No.	Polypac Ref. No.
						Material Code		
	d <sub>N</sub> f8/h9	D1 H10	L +0.2	B		WUAQ3	WU9L3	UAT60
	70.0	80.0	8.0	7.2	RU0200700	-	RS 70 80	-
	70.0	80.0	11.0	10.0	RU0300700	-	RS 70 80/2	-
	70.0	80.0	13.0	12.0	RU0000700	●	RS 70 80/1	EU 7080
	70.0	82.0	9.6	8.6	RU0400700	-	-	EU 7082
	70.0	85.0	11.0	10.0	RU0500700	-	RS 70 85	EU 7085/1
	<b>70.0</b>	<b>85.0</b>	<b>12.5</b>	<b>11.5</b>	<b>RU0600700</b>	-	<b>RS 70 85/2</b>	<b>EU 7085</b>
	70.0	85.0	13.0	12.0	RU0700700	-	RS 70 85/1	-
	70.0	90.0	13.0	12.0	RU0800700	-	RS 70 90	-
	70.0	90.0	14.5	13.5	RU0900700	-	RS 70 90/1	-
	<b>70.0</b>	<b>90.0</b>	<b>16.0</b>	<b>15.0</b>	<b>RU0A00700</b>	-	<b>RS 70 90/2</b>	-
	73.0	82.5	8.0	7.2	RU0000730	-	RS 73 82/5	-
	75.0	85.0	8.0	7.2	RU0000750	-	RS 75 85	-
	75.0	85.0	13.0	12.0	RU0100750	-	RS 75 85/1	-
	75.0	87.0	9.6	8.6	RU0200750	-	-	EU 7587
	75.0	90.0	11.0	10.0	RU0300750	-	RS 75 90	-
	75.0	90.0	13.0	12.0	RU0400750	-	RS 75 90/1	EU 7590
	75.0	95.0	13.0	12.0	RU0500750	-	RS 75 95	-
	75.0	95.0	14.5	13.5	RU0600750	-	RS 75 95/1	-
	76.0	84.0	8.5	7.5	RU0000760	-	RS 76 84/1	-
	80.0	90.0	8.0	7.2	RU0000800	-	RS 80 90	-
	80.0	90.0	11.0	10.0	RU0100800	-	-	EU 8090
	80.0	90.0	13.0	12.0	RU0200800	-	RS 80 90/2	-
	80.0	90.0	15.0	14.0	RU0300800	-	RS 80 90/1	-
	80.0	92.0	9.6	8.6	RU0400800	-	-	EU 8092
	80.0	95.0	11.0	10.0	RU0500800	-	RS 80 95	-
	80.0	95.0	12.5	11.5	RU0600800	-	RS 80 95/1	-
	<b>80.0</b>	<b>95.0</b>	<b>13.0</b>	<b>12.0</b>	<b>RU0700800</b>	-	-	<b>EU 8095</b>
	80.0	95.0	13.0	12.0	RU0800800	-	RS 80 95/2	-
	80.0	100.0	13.0	12.0	RU0900800	-	RS 80 100	EU 80100
	80.0	100.0	14.5	13.5	RU0A00800	-	RS 80 100/1	-
	<b>80.0</b>	<b>100.0</b>	<b>16.0</b>	<b>15.0</b>	<b>RU0B00800</b>	-	<b>RS 80 100/2</b>	-
	85.0	95.0	8.0	7.2	RU0000850	-	RS 85 95	-
	85.0	100.0	12.0	11.0	RU0100850	-	RS 85 100/1	-
	85.0	100.0	12.5	11.5	RU0200850	-	RS 85 100/3	-
	85.0	100.0	13.0	12.0	RU0300850	-	RS 85 100/2	EU 85100
	85.0	105.0	13.0	12.0	RU0400850	-	RS 85 105	-

● Available sizes      - Not available      RS/EU Production No. available sizes  
 Dimensions printed in **bold** type correspond to ISO/DIN 5597 and ISO 5597.      \* Split groove  
 The listed products are technically equivalent but availability and pricing may vary.



# U-Cup RU0



Note	Rod Diameter	Groove Diameter	Groove Width	Seal Width	Part No.	B+S Ref.	Sealing Parts Ref. No.	Polypac Ref. No.
	$d_N$ f8/h9	D1 H10	L +0.2	B		Material Code		
						WUAQ3	WU9L3	UAT60
	85.0	105.0	14.5	13.5	RU0500850	-	RS 85 105/1	-
	90.0	100.0	12.5	11.5	RU0000900	-	RS 90 100/1	-
	90.0	105.0	9.5	8.5	RU0200900	-	RS 90 105/2	-
	90.0	105.0	10.5	9.5	RU0300900	-	RS 90 105/4	-
	<b>90.0</b>	<b>105.0</b>	<b>12.5</b>	<b>11.5</b>	<b>RU0400900</b>	-	<b>RS 90 105/3</b>	-
	<b>90.0</b>	<b>105.0</b>	<b>13.0</b>	<b>12.0</b>	<b>RU0500900</b>	-	<b>RS 90 105/1</b>	<b>EU 90105</b>
	90.0	110.0	13.0	12.0	RU0100900	●	RS 90 110	-
	<b>90.0</b>	<b>110.0</b>	<b>16.0</b>	<b>15.0</b>	<b>RU0600900</b>	-	<b>RS 90 110/1</b>	-
	91.0	99.0	8.5	7.5	RU0000910	-	RS 91 99/1	-
	93.0	104.0	11.0	10.0	RU0000930	-	RS 93 104/1	-
	95.0	105.0	11.0	10.0	RU0000950	-	RS 95 105/1	-
	95.0	110.0	13.0	12.0	RU0100950	-	-	EU 95110
	95.0	115.0	13.0	12.0	RU0200950	-	RS 95 115	-
	98.0	118.0	11.0	10.0	RU0000980	-	-	EU 98118
	100.0	110.0	15.0	14.0	RU0001000	-	RS 100 110/1	-
	100.0	113.0	13.5	12.5	RU0101000	-	RS 100 113/1	-
	100.0	115.0	11.5	10.5	RU0201000	-	RS 100 115/2	-
	100.0	115.0	13.0	12.0	RU0301000	-	RS 100 115/1	EU 100115
	<b>100.0</b>	<b>120.0</b>	<b>13.0</b>	<b>12.0</b>	<b>RU0401000</b>	-	<b>RS 100 120</b>	<b>EU 100120</b>
	100.0	120.0	14.5	13.5	RU0501000	-	RS 100 120/1	-
	<b>100.0</b>	<b>120.0</b>	<b>16.0</b>	<b>15.0</b>	<b>RU0601000</b>	-	<b>RS 100 120/2</b>	<b>EU 100120/1</b>
	<b>100.0</b>	<b>125.0</b>	<b>20.0</b>	<b>19.0</b>	<b>RU0701000</b>	-	<b>RS 100 125</b>	-
	105.0	115.0	11.0	10.0	RU0101050	-	RS 105 115/1	-
	105.0	115.0	12.5	11.5	RU0201050	-	RS 105 115/2	-
	105.0	115.0	13.0	12.0	RU0301050	-	-	EU 105115
	105.0	115.0	14.5	13.5	RU0401050	-	RS 105 115/3	-
	105.0	125.0	13.0	12.0	RU0001050	●	RS 105 125	-
	105.0	125.0	16.0	15.0	RU0501050	-	-	EU 105125
	110.0	125.0	12.0	11.0	RU0101100	-	RS 110 125/1	EU 110125/1
	110.0	125.0	16.0	15.0	RU0001100	●	RS 110 125/2	EU 110125
	110.0	130.0	13.0	12.0	RU0201100	-	RS 110 130	-
	<b>110.0</b>	<b>130.0</b>	<b>16.0</b>	<b>15.0</b>	<b>RU0301100</b>	-	<b>RS 110 130/1</b>	<b>EU 110130</b>
	<b>110.0</b>	<b>135.0</b>	<b>20.0</b>	<b>19.0</b>	<b>RU0401100</b>	-	<b>RS 110 135</b>	-
	115.0	130.0	12.0	11.0	RU0001150	-	-	EU 115130
	115.0	135.0	13.0	12.0	RU0101150	-	RS 115 135	-
	120.0	130.0	8.0	7.2	RU0001200	-	RS 120130/1	-

● Available sizes - Not available RS/EU Production No. available sizes  
 Dimensions printed in **bold** type correspond to ISO/DIN 5597 and ISO 5597. \* Split groove  
 The listed products are technically equivalent but availability and pricing may vary.



## U-Cup RU0

Note	Rod Diameter	Groove Diameter	Groove Width	Seal Width	Part No.	B+S Ref.	Sealing Parts Ref. No.	Polypac Ref. No.
	$d_N$ f8/h9	D1 H10	L +0.2	B		Material Code		
						WUAQ3	WU9L3	UAT60
	120.0	130.0	12.5	11.5	RU0201200	-	RS 120 130/2	-
	120.0	132.0	11.0	10.0	RU0301200	-	RS 120 132/1	-
	120.0	135.0	12.5	11.5	RU0401200	-	RS 120 135/1	EU 120135/1
	120.0	135.0	16.0	15.0	RU0001200	●	-	-
	120.0	135.0	16.0	15.0	RU0501200	-	RS 120135/2	EU 120135
	120.0	140.0	13.0	12.0	RU0601200	-	RS 120 140	-
	120.0	140.0	16.0	15.0	RU0701200	-	RS 120 140/1	EU 120140
	125.0	145.0	13.0	12.0	RU0001250	-	RS 125 145	-
	<b>125.0</b>	<b>145.0</b>	<b>16.0</b>	<b>15.0</b>	<b>RU0101250</b>	-	<b>RS 125 145/1</b>	<b>EU 125145</b>
	125.0	150.0	15.0	14.0	RU0201250	-	RS 125 150	-
	<b>125.0</b>	<b>150.0</b>	<b>20.0</b>	<b>19.0</b>	<b>RU0301250</b>	-	<b>RS 125 150/1</b>	-
	125.0	155.0	19.0	18.0	RU0401250	-	RS 125 155	-
	127.0	139.7	10.0	9.2	RU0001270	-	RS 127 139.7/1	-
	130.0	140.0	8.0	7.2	RU0001300	-	RS 130 140	-
	130.0	145.0	13.0	12.0	RU0101300	-	RS 130 145	-
	130.0	145.0	15.0	14.0	RU0201300	-	RS 130 145/2	-
	130.0	145.0	16.0	15.0	RU0301300	-	RS 130 145/1	-
	130.0	150.0	13.0	12.0	RU0401300	-	RS 130 150	-
	130.0	150.0	16.0	15.0	RU0501300	-	RS 130 150/1	-
	132.0	142.0	7.0	6.0	RU0001320	●	-	-
	136.0	146.0	7.0	6.0	RU0001360	●	-	-
	140.0	150.0	12.5	11.5	RU0101400	-	RS 140 150/1	-
	140.0	155.0	13.0	12.0	RU0201400	-	RS 140 155/1	-
	140.0	160.0	13.0	12.0	RU0301400	-	RS 140 160	-
	<b>140.0</b>	<b>160.0</b>	<b>16.0</b>	<b>15.0</b>	<b>RU0001400</b>	●	<b>RS 140 160/2</b>	<b>EU 140160</b>
	<b>140.0</b>	<b>165.0</b>	<b>20.0</b>	<b>19.0</b>	<b>RU0401400</b>	-	<b>RS 140 165</b>	-
	145.0	157.7	10.0	9.0	RU0001450	-	RS 145 157.7/1	-
	147.0	160.0	13.0	12.0	RU0001470	-	RS 147 160/1	-
	150.0	170.0	13.0	12.0	RU0001500	-	RS 150 170	-
	150.0	170.0	14.5	13.5	RU0101500	-	RS 150 170/1	-
	150.0	170.0	16.0	15.0	RU0201500	-	RS 150 170/2	-
	160.0	180.0	13.0	12.0	RU0001600	-	RS 160 180	-
	160.0	180.0	16.0	15.0	RU0101600	-	RS 160 180/1	-
	160.0	185.0	20.0	19.0	RU0201600	-	RS 160 185	-
	165.0	195.0	21.0	20.0	RU0001650	-	RS 165 195	-
	170.0	190.0	13.0	12.0	RU0001700	-	RS 170 190/1	-

● Available sizes      - Not available      RS/EU Production No. available sizes  
 Dimensions printed in **bold** type correspond to ISO/DIN 5597 and ISO 5597.      \* Split groove  
 The listed products are technically equivalent but availability and pricing may vary.

# U-Cup RU0



Note	Rod Diameter	Groove Diameter	Groove Width	Seal Width	Part No.	B+S Ref.	Sealing Parts Ref. No.	Polypac Ref. No.
	$d_N$ f8/h9	D1 H10	L +0.2	B		Material Code		
						WUAQ3	WU9L3	UAT60
	170.0	190.0	16.0	15.0	RU0101700	-	RS 170 190/1	-
	180.0	200.0	13.0	12.0	RU0001800	-	RS 180 200	-
	180.0	200.0	16.0	15.0	RU0101800	-	RS 180 200/1	-
	180.0	200.0	20.0	19.0	RU0201800	-	RS 180 200/2	-
	190.0	210.0	13.0	12.0	RU0101900	-	RS 190 210	-
	190.0	210.0	16.0	15.0	RU0001900	●	RS 190 210/1	-
	198.0	207.6	7.5	7.3	RU0001980	-	RS 198 207.6	-
	200.0	212.0	16.0	15.0	RU0102000	-	RS 200 212/1	-
	200.0	220.0	13.0	12.0	RU0202000	-	RS 200 220	-
	200.0	220.0	16.0	15.0	RU0002000	●	RS 200 220/1	-
	<b>200.0</b>	<b>225.0</b>	<b>20.0</b>	<b>19.0</b>	<b>RU0302000</b>	-	<b>RS 200 225</b>	-
	210.0	230.0	13.0	12.0	RU0002100	-	RS 210 230	-
	210.0	230.0	16.0	15.0	RU0102100	-	RS 210 230/2	-
	210.0	235.0	26.0	24.5	RU0202100	-	RS 210 235/1	-
	220.0	240.0	13.0	12.0	RU0002200	-	RS 220 240	-
	220.0	240.0	16.0	15.0	RU0102200	-	RS 220 240/1	-
	220.0	250.0	19.0	18.0	RU0202200	-	RS 220 250	-
	230.0	250.0	13.0	12.0	RU0002300	-	RS 230 250	-
	230.0	260.0	25.0	23.7	RU0102300	-	RS 230 260	-
	240.0	260.0	13.0	12.0	RU0002400	-	RS 240 260	-
	240.0	260.0	16.0	15.0	RU0102400	-	RS 240 260/1	-
	240.0	270.0	19.0	18.0	RU0202400	-	RS 240 2702	-
	250.0	270.0	13.0	12.0	RU0002500	-	RS 250 270	-
	250.0	270.0	16.0	15.0	RU0102500	-	RS 250 270/1	-
	250.0	280.0	23.0	22.0	RU0202500	-	RS 250 280	-
	270.0	300.0	19.0	18.0	RU0002700	-	RS 270 300	-
	280.0	305.0	16.0	15.0	RU0002800	-	RS 280 305/1	-
	<b>280.0</b>	<b>310.0</b>	<b>25.0</b>	<b>24.0</b>	<b>RU0102800</b>	-	<b>RS 280 310</b>	-

● Available sizes      - Not available      RS/EU Production No. available sizes  
 Dimensions printed in **bold** type correspond to ISO/DIN 5597 and ISO 5597.      \* Split groove  
 The listed products are technically equivalent but availability and pricing may vary.