



U-Cup Symmetrical Seals

Description

These seals have a symmetrical configuration of the sealing lips and are mainly used in single acting or double acting standard hydraulic cylinders, particularly for mobile hydraulics under rough operating conditions.

The thermoplastic Polyurethane material used for U-Cups has a high abrasion resistance, a low compression set and exhibits a high resistance to clearance extrusion. The seal design and the Polyurethane properties give efficient fluid sealing, reduced friction values and low wear rate. These seals are suitable for closed groove installation.

The sealing effect of a U-Cup symmetric seal is obtained thanks to the lip pre-compression due to installation and to the pressure effect on the lips.

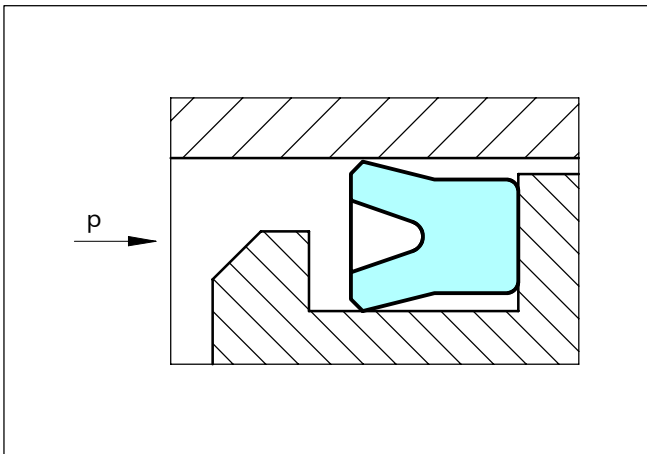


Figure 8 U-Cup for piston

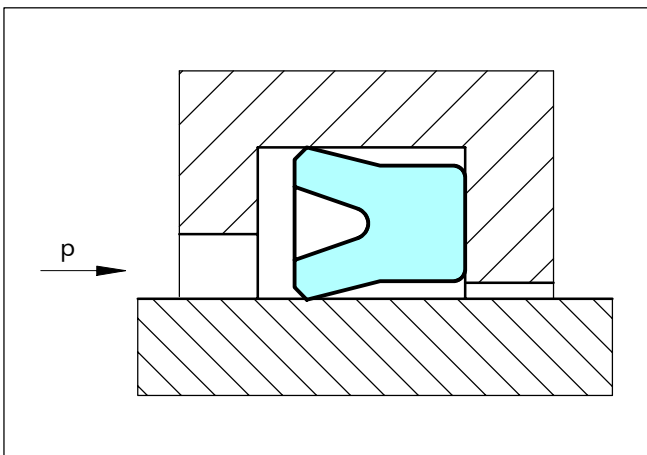


Figure 9 U-Cup for rod

Advantages

- Low cost, economical solution
- Simple, easy-construction groove
- Easy installation and removal without tools
- Exceptional wear resistance

Application Examples

- Standard hydraulic cylinders
- Presses
- Lift platforms

Table X Guide Values for Radial Clearance

Operating Pressure MPa	Radial clearance: S max.	
	d < 60 mm	d > 60 mm
5	0.40	0.50
10	0.30	0.40
20	0.20	0.30
30	0.15	0.20
40	0.10	0.15

Technical Data

Operating conditions

Pressure: Up to 40 MPa

Velocity: Up to 0.5 m/s

Temperature: -30°C to +80°C

Media: Hydraulic fluids
Mineral oil-based hydraulic fluids

Groove type: Closed for Piston application
Open/closed for rod application

Table XI Cross Section / Dia. Relationships for Close Groove Installation of U-Cup

Cross Section	Min. Rod Diameter
4.0	30
5.0	35
6.0	40
7.5	50
10.0	90

Important Note:

The above data are maximum values and cannot be used at the same time. e.g. the maximum operating speed depends on material type, pressure, temperature and gap value.



U-Cup

Materials

Standard Application:

Polyurethane

Material Set-Code

Polypac UAT60	red
B+S WUAQ3	turquoise
Sealing Parts WU9L3	blue

Ordering Example

For **piston** application of a U-Cup Symmetric Seal:

Piston diameter:	$D_N = 35$ mm
Groove diameter:	$d_1 = 25$ mm
Groove width:	$L = 11$ mm

Or for **rod** application of a U-Cup Symmetric Seal:

Rod diameter:	$d_N = 25$ mm
Groove diameter:	$D_1 = 35$ mm
Groove width:	$L = 11$ mm

Part number table XII: RUB1 0 0250

Order No.	RUB1	0	0250	-	WU9L3
Series No.					
Type (Standard)					
Groove diameter x 10					
Quality Index					
Material Set-code					
Sealing Parts ref.:	RSS 25 35/1				

Order No.	RUB1	0	0250	-	UAT60
Series No.					
Type (Standard)					
Piston diameter x 10					
Quality Index					
Material Set-code					
Polypac ref.:	MU/P 3525				

Order No.	RUB1	0	0250	-	WUAQ3
Series No.					
Type (Standard)					
Groove diameter x 10					
Quality Index					
Material Set-code					
Busak+Shamban ref.:	RUB100250				



Installation Recommendation

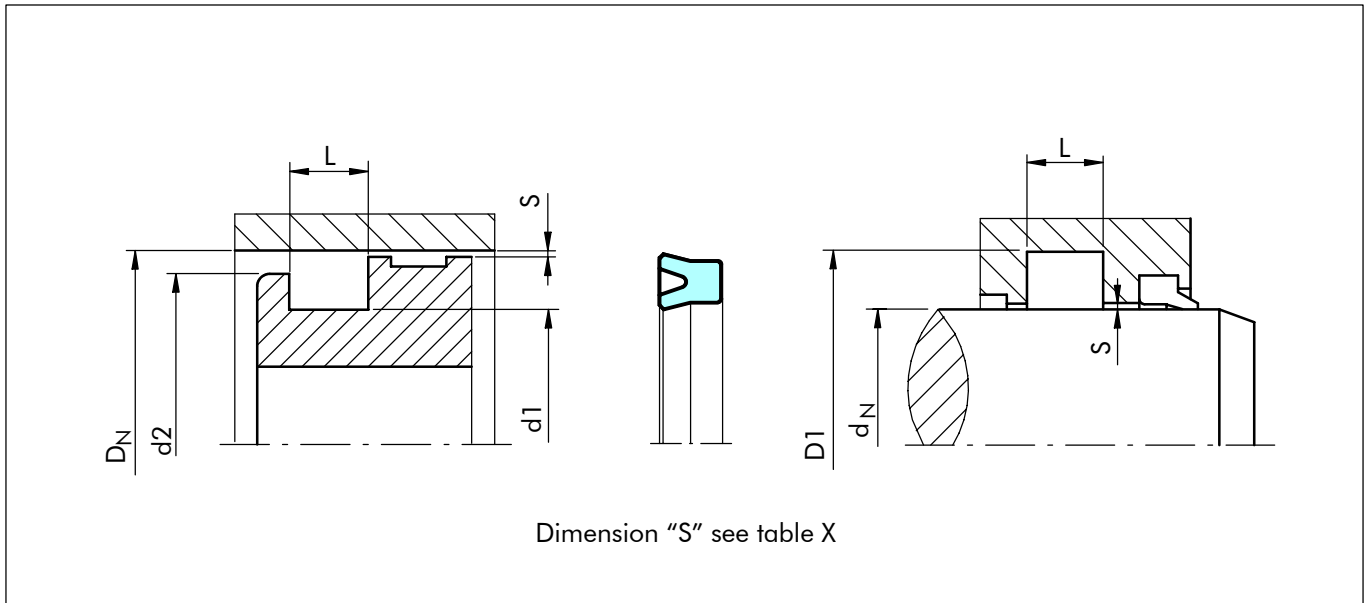


Figure 10 Installation drawing

Table XII Installation Dimensions / Part No.

Rod/Groove Dia.	Bore/Groove Dia.	Groove Width	Fitting Dia.	Polypac Ref. No.	Sealing Parts Ref. No.	B+S Ref. No.	Part. No.	
d_N h9	$D1$ H11	$L + 0.2$	$d2$	Material Code				
$d1$ h11	D_N H9			UAT60	WU9L3	WUAQ3		
5.00	12.00	5.00	8.50	MU/P 1205			RUB000050	
5.00	12.00	5.50	8.50			RUB300050	RUB300050	
6.00	12.00	6.00	9.00			RUB200060	RUB200060	
6.00	12.00	7.00	9.00	MU/P 1206			RUB000060	
6.00	12.00	5.00	9.00			RUB300060	RUB300060	
8.00	12.00	6.00	10.00			RUBA00080	RUBA00080	
8.00	14.00	6.00	11.00			RUB900080	RUB900080	
8.00	14.00	7.00	11.00			RUB000080	RUB000080	
8.00	16.00	6.30	12.00			RUB300080	RUB300080	
8.00	16.00	8.00	12.00			RUB700080	RUB700080	
8.00	22.00	9.00	15.00		RSS 8 22		RUBB00080	
9.00	15.00	9.00	12.00		RSS 9 15		RUB000090	
9.00	19.00	7.00	14.00		RSS 9 19		RUB100090	
10.00	16.00	6.50	13.00		RSS 10 16	RUB000100	RUB000100	
10.00	18.00	6.00	14.00		RSS 10 18/1		RUB700100	
10.00	18.00	7.00	14.00	MU/P 1810	RSS 10 18/2		RUB800100	
10.00	18.00	9.00	14.00			RSS 10 18		RUB900100
10.00	18.00	6.30	14.00				RUB600100	RUB600100
10.00	20.00	9.00	15.00		RSS 10 20	RUB300100	RUB300100	
10.00	20.00	8.00	15.00			RUB500100	RUB500100	
10.00	22.00	7.00	16.00		RSS 10 22		RUBA00100	
10.00	22.00	9.00	16.00		RSS 10 22/1		RUBB00100	
11.00	17.00	5.00	14.00		RSS 11 17		RUB000110	
11.00	20.50	7.00	15.75		RSS 11 20.5		RUB100110	



U-Cup

Rod/Groove Dia.	Bore/Groove Dia.	Groove Width	Fitting Dia.	Polypac Ref. No.	Sealing Parts Ref. No.	B+S Ref. No.	Part. No.
d_N h9	D1 H11	L + 0.2	d2	Material Code			
d1 h11	D _N H9			UAT60	WU9L3	WUAQ3	
12.00	18.00	6.00	15.00	MU/P 1812			RUB600120
12.00	18.00	7.00	15.00		RSS 12 18	RUB000120	RUB000120
12.00	22.00	6.00	17.00		RSS 12 22/1	RUB500120	RUB500120
12.00	22.00	8.00	17.00		RSS 12 22		RUB700120
12.00	22.00	9.00	17.00		RSS 1222/2		RUB800120
12.00	24.00	9.00	18.00		RSS 12 24		RUB900120
12.00	24.00	10.00	18.00		RSS 12 24/1		RUBB00120
12.00	25.00	11.00	18.50	MU/P 2512	RSS 12 25/1		RUBC00120
12.00	25.00	9.00	18.50		RSS 12 25		RUBD00120
12.00	18.00	5.50	15.00		RSS 12 18/1		RUBE00120
12.00	19.00	6.00	15.50			RUBA00120	RUBA00120
12.00	20.00	8.00	16.00	MU/P 2012/1	RSS 12 20/1		RUBF00120
12.00	20.00	9.00	16.00	MU/P 2012	RSS 1220		RUBG00120
14.00	20.00	5.30	17.00		RSS 1420	RUB000140	RUB000140
14.00	22.00	12.00	18.00		RSS 14 22/2		RUB500140
14.00	22.00	7.00	18.00		RSS 14 22	RUB100140	RUB100140
14.00	22.00	9.00	18.00		RSS 14 22/1		RUB600140
14.00	24.00	8.00	19.00			RUB200140	RUB200140
14.00	24.00	9.00	19.00	MU/P 2414	RSS 14 24		RUB700140
14.00	22.00	4.50	18.00		RSS 14 22/3		RUB800140
15.00	23.00	6.30	19.00			RUB200150	RUB200150
15.00	25.00	9.00	20.00		RSS 15 25	RUB000150	RUB000150
15.00	25.00	11.00	20.00	MU/P 2515	RSS 15 25/1		RUB300150
15.00	28.00	11.00	21.50		RSS 1528		RUB400150
15.00	27.00	7.00	21.00		RSS1527		RUB500150
16.00	22.00	4.50	19.00		RSS 16 22/1	RUB100160	RUB100160
16.00	22.00	5.50	19.00		RSS 1622		RUB800160
16.00	22.00	5.00	19.00	MU/P 2216			RUB900160
16.00	24.00	6.00	20.00		RSS 1624/1		RUBA00160
16.00	24.00	6.30	20.00			RUB700160	RUB700160
16.00	24.00	10.00	20.00	MU/P 2416	RSS1824		RUBB00160
16.00	26.00	9.00	21.00		RSS 1626/1		RUBC00160
16.00	26.00	11.00	21.00		RSS1626/2		RUBD00160
16.00	28.00	7.00	22.00		RSS1S28		RUBE00160
16.00	32.00	9.00	24.00		RSS1632		RUBF00160
16.00	22.00	6.00	19.00			RUB600160	RUB600160
16.00	26.00	6.00	21.00		RSS1626	RUB400160	RUB400160
17.00	25.00	11.00	21.00		RSS1725		RUB000170
18.00	25.00	5.50	21.50		RSS1825		RUB800180
18.00	26.00	7.50	22.00	MU/P 2618	RSS1826/1		RUB900180
18.00	26.00	8.00	22.00			RUB600180	RUB600180
18.00	26.00	9.00	22.00		RSS 1826/2		RUBA00180
18.00	26.00	9.50	22.00		RSS1826		RUBB00180
18.00	28.00	6.30	23.00			RUB700180	RUB700180
18.00	28.00	9.00	23.00		RSS1828		RUBC00180

U-Cup



Rod/Groove Dia.	Bore/Groove Dia.	Groove Width	Fitting Dia.	Polypac Ref. No.	Sealing Parts Ref. No.	B+S Ref. No.	Part. No.
d_N h9	D1 H11	L + 0.2	d2	Material Code			
d1 h11	D _N H9			UAT60	WU9L3	WUAQ3	
18.00	30.00	9.00	24.00	MU/P 2519	RSS1830	RUBB00200	RUBD00180
19.00	25.00	7.00	22.00		RSS1925		RUB000190
20.00	26.00	5.50	23.00				RUBB00200
20.00	28.00	5.00	24.00	MU/P 2820	RSS 20 28	RUB800200	RUBC00200
20.00	28.00	8.00	24.00				RUB800200
20.00	28.00	9.00	24.00		RSS 20 28/1		RUBD00200
20.00	29.00	5.50	24.50		RSS 20 29		RUBE00200
20.00	32.00	8.50	26.00		RSS 20 32		RUBF00200
20.00	39.00	11.00	29.50		RSS 20 39		RUBG00200
20.00	40.00	11.00	30.00	MU/P 4020	RSS 20 40		RUBH00200
20.00	40.00	13.00	30.00		RSS 20 40/1		RUBI00200
20.00	40.00	12.00	30.00				RUBJ00200
20.00	30.00	9.00	25.00	MU/P 3020/1	RSS 20 30	RUB100200	RUB100200
20.00	30.00	11.00	25.00	MU/P 3020	RSS 20 30/1	RUB200200	RUB200200
20.00	35.00	13.00	27.50	MU/P 3520	RSS 20 35		RUBK00200
22.00	28.00	5.00	25.00			RUB000220	RUB000220
22.00	30.00	7.00	26.00		RSS 22 30	RUB100220	RUB100220
22.00	30.00	11.00	26.00		RSS 22 30/1		RUB600200
22.00	30.00	7.50	26.00	MU/P 3022	RSS 22 32/1	RUB200220	RUB700200
22.00	32.00	11.00	27.00				RUB800220
22.00	32.00	9.00	27.00	MU/P 3222			RSS 22 32
22.00	40.00	11.00	31.00	MU/P 3522	RSS 22 40		RUB900220
22.00	28.00	9.00	25.00		RSS 22 28		RUBA00220
22.00	35.00	11.00	28.50		RSS 22 35		RUB400220
23.00	30.00	7.50	26.50	MU/P 3224/1	RSS 23 30		RUB000230
24.00	32.00	8.00	28.00		RSS 24 32		RUB000240
24.00	32.00	7.50	28.00				RUB100240
24.00	40.00	9.00	32.00	MU/P 3525	RSS 24 40	RUB100250	RUB200240
25.00	35.00	11.00	30.00		RSS 25 35/1		RUB100250
25.00	35.00	7.00	30.00		MU/P 3525/W		
25.00	35.00	9.00	30.00	MU/P 3525/1	RSS 25 35/2	RUB200250	RUB200250
25.00	38.00	10.00	31.50	MU/P 3825		RUB800250	RUB800250
25.00	38.00	11.00	31.50		RSS 25 38		RUB900250
25.00	33.00	7.50	29.00	MU/P 3325	RSS 25 35	RUB500250	RUBA00250
25.00	35.00	5.50	30.00				RUBB00250
25.00	35.00	6.00	30.00				RUB500250
25.00	40.00	11.00	32.50	MU/P 3628	RSS 25 40	RUB400250	RUB400250
28.00	36.00	7.50	32.00		RSS 28 36	RUB500280	
28.00	40.00	11.00	34.00		RSS 28 40	RUB200280	
28.00	35.00	5.50	31.50		RSS 28 35	RUB400280	RUB600280
28.00	38.00	6.30	33.00				RUB400280
28.00	38.00	9.00	33.00		RSS 28 38		RUB100280
29.00	40.00	11.00	34.50		RSS 30 38	RUB000290	RUB000290
30.00	38.00	6.50	34.00			RUBB00300	
30.00	38.00	7.00	34.00			RUB800300	RUB800300



U-Cup

Rod/Groove Dia.	Bore/Groove Dia.	Groove Width	Fitting Dia.	Polypac Ref. No.	Sealing Parts Ref. No.	B+S Ref. No.	Part. No.	
d_N h9	D1 H11	L + 0.2	d2	Material Code				
d1 h11	D _N H9			UAT60	WU9L3	WUAQ3		
30.00	38.00	8.00	34.00	MU/P 3830	RSS 30 40/1		RUBC00300	
30.00	40.00	5.50	35.00				RUBD00300	
30.00	40.00	10.00	35.00	MU/P 4030			RUBE00300	
30.00	40.00	11.00	35.00		RSS 30 40	RUB100300	RUB100300	
30.00	40.00	8.00	35.00		RSS 30 42	RUB900300	RUB900300	
30.00	42.00	11.00	36.00		RSS 30 42	RUB300300	RUB300300	
30.00	45.00	10.00	37.50	MU/P 4530	RSS 30 45	RUB500300	RUBF00300	
30.00	45.00	11.00	37.50	MU/P 4530/1			RUB500300	
30.00	50.00	11.00	40.00	RSS 30 50/1			RUBG00300	
30.00	50.00	13.00	40.00	MU/P 4230	RSS 30 50	RUB000320	RUBH00300	
30.00	42.00	10.00	36.00		RSS 30 42/1		RUBI00300	
32.00	40.00	6.30	36.00		RSS 30 42/1		RUB000320	
32.00	40.00	9.00	36.00	MU/P 4032/1	RSS 32 40/1	RUB600320	RUB700320	
32.00	40.00	6.00	36.00		RSS 32 40		RUB800320	
32.00	42.00	8.00	37.00		RSS 32 40		RUB600320	
32.00	42.00	11.00	37.00	MU/P 4232	RSS 32 42	RUB200320	RUB200320	
32.00	45.00	11.00	38.50		RSS 32 45	RUB900320	RUB900320	
32.00	50.00	13.00	41.00		RSS 32 50	RUBA00320		
32.00	40.00	6.50	36.00		MU/P 4032	RUB000330	RUBB00320	
33.00	43.00	7.00	38.00	RSS 34 45	RUB000330			
34.00	45.00	8.00	39.50	RSS 34 45	RUB300340			
34.00	45.00	10.00	39.50	MU/P 4534	RSS 34 45/1	RUB200350	RUB200340	
34.00	50.00	15.00	42.00	RSS 34 50	RUB400340			
35.00	45.00	8.00	40.00	MU/P 4535/W	RUB200350		RUB200350	
35.00	45.00	9.00	40.00		RSS 35 45/1	RUB100350	RUB100350	
35.00	45.00	11.00	40.00		RSS 35 45	RUB000350	RUB000350	
35.00	48.00	11.00	41.50		RSS 35 48	RUB700350	RUB700350	
35.00	50.00	11.00	42.50		RSS 35 50	RUB300350	RUB300350	
35.00	55.00	11.00	45.00		RSS 35 55/1	RUB500350	RUB500350	
35.00	55.00	13.00	45.00		RSS 35 55	RUB400350	RUB400350	
36.00	48.00	9.00	42.00	MU/P 4836	RSS 36 70	RUB100360	RUB200360	
36.00	51.00	11.00	43.50	RSS 36 70			RUB100360	
36.00	70.00	11.00	53.00	RSS 36 70			RUB300360	
36.00	46.00	8.00	41.00	MU/P 4636	RSS 33 46	RUB100380	RUB000360	
38.00	45.00	5.50	41.50	RSS 38 45	RUB100380		RUB100380	
38.00	46.00	7.50	42.00	MU/P 4638	RSS 38 46		RUB600380	RUB600380
38.00	55.00	11.00	46.50		RSS 38 55	RUB700380	RUB700380	
38.00	58.00	11.00	48.00		RSS 38 58		RUB800380	RUB800380
38.00	50.00	10.00	44.00		RSS 38 50		RUB900380	RUB900380
40.00	48.00	12.00	44.00	MU/P 5040	RSS 40 48	RUB400400	RUBG00400	
40.00	50.00	7.50	45.00		RSS 40 50/1		RUBH00400	RUBH00400
40.00	50.00	9.00	45.00		RSS 40 50/2		RUB400400	RUB400400
40.00	50.00	7.00	45.00	MU/P 5240		RUB900400	RUB900400	
40.00	52.00	9.00	46.00				RUBI00400	RUBI00400
40.00	52.00	10.00	46.00				RUBE00400	RUBE00400

U-Cup



Rod/Groove Dia.	Bore/Groove Dia.	Groove Width	Fitting Dia.	Polypac Ref. No.	Sealing Parts Ref. No.	B+S Ref. No.	Part. No.
d_N h9	D1 H11	L + 0.2	d2	Material Code			
d1 h11	D_N H9			UAT60	WU9L3	WUAQ3	
40.00	52.00	11.00	46.00	MU/P 5540	RSS 40 55	RUBF00400	RUBF00400
40.00	55.00	11.00	47.50			RUB500400	RUB500400
40.00	60.00	13.00	50.00			RUBB00400	RUBB00400
40.00	60.00	19.00	50.00		RSS 40 60/2	RUB800400	RUBJ00400
40.00	60.00	10.00	50.00		RUB800400		RUB800400
40.00	60.00	14.00	50.00		RSS 40 60		RUBK00400
40.00	65.00	13.00	52.50		RSS 40 65		RUBC00400
40.00	70.00	16.00	55.00		RSS 40 70		RUBL00400
40.00	75.00	11.00	57.50		RSS 40 75		RUBM00400
40.00	50.00	11.00	45.00	MU/P 5040/1	RSS 40 50	RUB100400	RUB100400
40.00	56.00	11.00	48.00		RSS 40 56	RUB600400	RUB600400
40.00	60.00	11.00	50.00		RSS 40 60/1	RUB800400	
40.80	50.80	7.70	45.80	MU/P 5141	RSS 42 50		RUB000408
42.00	50.00	9.00	46.00	MU/P 5042			RUB000420
42.00	52.00	10.00	47.00	RSS 42 52			RUB100420
42.00	62.00	13.00	52.00	MU/P 5345	RSS 42 62		RUB200420
45.00	53.00	7.50	49.00		MU/P 5545		RUB700450
45.00	55.00	7.50	50.00		RSS 45 55/1		RUB100450
45.00	55.00	11.00	50.00	MU/P 5545/1	RSS 45 55	RUB000450	RUB000450
45.00	55.00	9.00	50.00			RUB600450	RUB600450
45.00	57.70	10.50	51.35			MU/P 5745	RUB800450
45.00	60.00	11.00	52.50	MU/P 6045	RSS 45 50	RUB200450	RUB200450
45.00	63.00	11.00	54.00		RSS 45 63	RUB900450	
45.00	65.00	11.00	55.00		RSS 45 65	RUB400450	
45.00	65.00	13.00	55.00	MU/P 6050	RSS 45 65/1	RUB500450	RUB500450
48.00	58.00	11.00	53.00		RSS 48 58	RUB000480	
50.00	60.00	11.00	55.00		RSS 50 60	RUB000500	
50.00	63.00	7.00	56.50	MU/P 6550/1	RSS 50 63	RUB700500	RUB700500
50.00	65.00	11.00	57.50		RSS 50 65	RUB200500	
50.00	70.00	11.00	60.00		RSS 50 70	RUB500500	
50.00	70.00	13.00	60.00	MU/P 7050	RSS 50 70/1	RUB600500	RUB600500
50.00	70.00	19.00	60.00	RSS 50 70/2	RUB800500		
50.00	60.00	12.00	55.00	MU/P 6050/1	RSS 50 60/1		RUB900500
50.00	62.00	10.00	56.00	MU/P 6250	RSS 50 62	RUB100520	RUBA00500
52.00	62.00	11.00	57.00		RUB100520		RUB100520
52.00	62.00	13.00	57.00	MU/P 6252	RSS 52 62		RUB200520
53.00	63.00	7.50	58.00	MU/P 6353	RSS 53 63	RUB100530	RUB100530
55.00	65.00	11.00	60.00	MU/P 6555/1	RSS 55 65/1	RUB100550	RUB100550
55.00	65.00	13.00	60.00	MU/P 6555	RSS 55 65	RUB000550	RUB000550
55.00	70.00	11.00	62.50	MU/P 7055		RUB500550	RUB500550
55.00	70.00	13.00	62.50		RSS 55 70	RUB200550	
55.00	75.00	13.00	65.00		RSS 55 75	RUB300550	
55.00	75.00	11.00	65.00	MU/P 7555	RSS 55 80	RUB000560	RUB600550
55.00	80.00	13.00	67.50	MU/P 8055			RUB700550
56.00	66.00	11.00	61.00				RUB000560



U-Cup

Rod/Groove Dia.	Bore/Groove Dia.	Groove Width	Fitting Dia.	Polypac Ref. No.	Sealing Parts Ref. No.	B+S Ref. No.	Part. No.
d_N h9	D1 H11	L + 0.2	d2	Material Code			
d1 h11	D _N H9			UAT60	WU9L3	WUAQ3	
56.00	71.00	11.00	63.50	MU/P 7156			RUB200560
56.00	76.00	13.00	66.00			RUB100560	RUB100560
60.00	70.00	9.00	65.00	MU/P 7060	RSS 60 70/1	RUB100600	RUB100600
60.00	70.00	11.00	65.00		RSS 60 70/2	RUB200600	RUB200600
60.00	70.00	13.00	65.00	MU/P 7060/1	RSS 60 70	RUB000600	RUB000600
60.00	75.00	13.00	67.50	MU/P 7560	RSS 60 75	RUB300600	RUB300600
60.00	75.00	11.00	67.50		RSS 60 75/1		RUBF00600
60.00	80.00	11.00	70.00		RSS 60 80	RUB500600	RUB500600
60.00	80.00	13.00	70.00		RSS 60 80/1	RUB600600	RUB600600
60.00	80.00	19.00	70.00		RSS 60 80/2		RUBE00600
60.00	85.00	13.50	72.50		RSS 60 85		RUBD00600
60.00	90.00	16.00	75.00	MU/P 9060	RSS 60 90		RUBC00600
60.00	70.00	15.00	65.00	MU/P 7060/S			RUBB00600
60.00	70.00	8.00	65.00			RUBA00600	RUBA00600
63.00	73.00	11.00	68.00			RUB300630	RUB300630
63.00	75.00	11.00	69.00		RSS 63 75	RUB000630	RUB000630
63.00	75.00	13.00	69.00			RUB400630	RUB400630
63.00	78.00	11.00	70.50		RSS 63 78		RUB600630
63.00	78.00	13.00	70.50	MU/P 7863			RUB700630
63.00	80.00	11.00	71.50	MU/P 8063			RUB800630
63.00	83.00	16.00	73.00		RSS 63 83		RUB900630
63.00	83.00	13.00	73.00			RUB500630	RUB500630
65.00	75.00	13.00	70.00	MU/P 7565	RSS 65 75	RUB000650	RUB000650
65.00	80.00	11.00	72.50			RUB500650	RUB500650
65.00	80.00	13.00	72.50	MU/P 8065	RSS 65 80	RUB100650	RUB100650
65.00	80.00	12.00	72.50		RSS 65 80/1		RUB600650
65.00	85.00	12.00	75.00		RSS 65 85/1		RUB700650
65.00	85.00	13.00	75.00			RUB300650	RUB300650
65.00	85.00	11.00	75.00	MU/P 8565	RSS 65 85		RUB800650
66.00	76.00	9.00	71.00		RSS 66 76		RUB000660
66.00	80.00	11.00	73.00		RSS 66 80		RUB100660
66.00	80.00	14.00	73.00		RSS 66 80/1		RUB200660
67.00	77.00	13.00	72.00	MU/P 7767	RSS 67 77		RUB000670
67.00	77.00	11.00	72.00		RSS 67 77/1		RUB100670
69.85	88.90	12.70	79.38		RSS 69.85 88.90		RUB000698
70.00	80.00	9.00	75.00	MU/P 8070	RSS 70 80/1		RUBA00700
70.00	80.00	11.00	75.00		RSS 70 80/2	RUB200700	RUB200700
70.00	80.00	13.00	75.00	MU/P 8070/1	RSS 70 80	RUB000700	RUB000700
70.00	85.00	13.00	77.50		RSS 70 85	RUB300700	RUB300700
70.00	90.00	13.00	80.00	MU/P 9070	RSS 70 90	RUB500700	RUB500700
70.00	80.00	8.00	75.00			RUB700700	RUB700700
70.00	80.00	6.00	75.00		RSS 70 80/3		RUB900700
70.00	85.00	11.00	77.50	MU/P 8570		RUB400700	RUB400700
70.00	90.00	19.00	80.00		RSS 70 90/1		RUBB00700
75.00	85.00	11.00	80.00			RUB500750	RUB500750

U-Cup



Rod/Groove Dia.	Bore/Groove Dia.	Groove Width	Fitting Dia.	Polypac Ref. No.	Sealing Parts Ref. No.	B+S Ref. No.	Part. No.	
d _N h9	D1 H11	L + 0.2	d2	Material Code				
d1 h11	D _N H9			UAT60	WU9L3	WUAQ3		
75.00	90.00	11.00	82.50	MU/P 9075	RSS 75 90/2		RUBA00750	
75.00	90.00	13.00	82.50		RSS 75 90/1		RUB900750	
75.00	90.00	8.50	82.50		RSS 75 90		RUB800750	
75.00	95.00	14.50	85.00	MU/P 9575	RSS 75 95	RUB400750	RUB700750	
75.00	95.00	13.00	85.00				RUB400750	
75.00	95.50	12.00	85.25	MU/P 9575/X			RUB600750	
75.00	85.00	13.00	80.00	MU/P 8575	RSS 75 85	RUB000750	RUB000750	
76.50	96.50	13.00	86.50	MU/P 9676			RUB000765	
78.00	86.00	13.50	82.00	MU/P 8678			RUB200780	
78.00	88.00	15.00	83.00	MU/P 8878/S	RSS 78 93	RUB500800	RUB100780	
78.00	93.00	11.50	85.50				RUB000780	
80.00	90.00	8.00	85.00				RUB500800	
80.00	90.00	11.00	85.00		RSS 80 90	RUB000800	RUB000800	
80.00	90.00	13.00	85.00		RSS 80 90/1		RUB600800	
80.00	95.00	13.00	87.50		RSS 80 95		RUB700800	
80.00	100.00	11.00	90.00	MU/P 10080	RSS 80 100	RUB400800	RUB900800	
80.00	100.00	13.00	90.00		RSS 80 100/1		RUB400800	
82.00	92.00	11.00	87.00		RSS 82 92		RUB000820	
82.55	101.60	10.50	92.08	MU/P 10182	RSS 84.5 94		RUB000825	
84.50	94.00	8.80	89.25				RUB000845	
85.00	95.00	9.50	90.00	MU/P 9585			RSS 85 55	RUB500850
85.00	95.00	13.00	90.00	MU/P 9585/X	RSS 85 95/1	RUB100850	RUB100850	
85.00	95.50	8.50	90.25		RSS 85 100/2		RUB600850	
85.00	100.00	10.00	92.50				RUB700850	
85.00	100.00	13.00	92.50	MU/P 10085	RSS 85 100	RUB200850	RUB200850	
85.00	105.00	13.00	95.00	MU/P 10585/1	RSS 85 105		RUB800850	
85.00	115.00	16.00	100.00		RSS 85 115		RUB900850	
85.00	100.00	12.00	92.50	MU/P 10090	RSS 85 100/1	RUB400850	RUB400850	
90.00	100.00	8.00	95.00		RSS 90 100/2		RUB500900	
90.00	100.00	9.00	95.00		RSS 90 100		RUB600900	
90.00	100.00	11.50	95.00	MU/P 10090/1	RSS 90 100/1	RUB100900	RUB700900	
90.00	100.00	13.00	95.00				RUB100900	
90.00	105.00	13.00	97.50	MU/P 10590			RSS 90 105	RUB800900
90.00	110.00	13.00	100.00	MU/P 11090	RSS 90110	RUB300900	RUB300900	
90.00	115.00	23.00	102.50		RSS 90115		RUB900900	
90.00	110.00	19.00	100.00		RSS 90 110/1		RUB400900	
95.00	105.00	12.80	100.00	MU/P 10595	RSS 95 110		RUB600950	
95.00	110.00	13.00	102.50				RSS 95 110/1	RUB000950
95.00	110.00	16.00	102.50					RUB300950
95.00	112.00	12.00	103.50	MU/P 11595	RSS 95112		RUB700950	
95.00	115.00	13.00	105.00		RSS 95 115		RUB800950	
95.00	115.00	19.00	105.00		RSS 95 115/1		RUB400950	
95.00	110.00	13.50	102.50	MU/P 10999/S		RUB500950	RUB500950	
99.00	109.00	15.00	104.00				RUB000990	
100.00	115.00	13.00	107.50				MU/P 115100	RSS 100 115



U-Cup

Rod/Groove Dia.	Bore/Groove Dia.	Groove Width	Fitting Dia.	Polypac Ref. No.	Sealing Parts Ref. No.	B+S Ref. No.	Part. No.
d_N h9	D1 H11	L + 0.2	d2	Material Code			
d1 h11	D _N H9			UAT60	WU9L3	WUAQ3	
100.00	120.00	13.00	110.00	MU/P 120100	RSS 100 120	RUB101000	RUB101000
100.00	125.00	13.00	112.50		RSS 100 125		RUB201000
100.00	125.00	16.00	112.50		RSS 100 125/1		RUB301000
100.00	130.00	13.00	115.00	MU/P 130110/1	RSS 100 130		RUB401000
105.00	120.00	9.00	112.50		RSS 105120		RUB001050
105.00	120.00	16.00	112.50		RSS 105 120/1		RUB101050
105.00	125.00	13.00	115.00		RSS 105 125/1		RUB201050
105.00	125.00	16.00	115.00		RSS 105 125		RUB301050
106.00	120.00	9.50	113.00		RSS 106120		RUB001060
110.00	125.00	13.00	117.50		RSS 110 125		RUB401100
110.00	125.00	16.00	117.50		RSS 110125/1		RUB501100
110.00	130.00	16.00	120.00	MU/P 130110	RSS 110 130	RUB301100	RUB301100
110.00	130.00	19.00	120.00		RSS 110130/1		RUB601100
113.00	125.00	10.50	119.00	MU/P 125113	RSS 113 125		RUB001130
115.00	126.00	16.00	120.50	MU/P 126115	RSS 115 126		RUB001150
115.00	135.00	16.00	125.00	MU/P 135115	RSS 115135		RUB101150
115.00	140.00	16.00	127.50		RSS 115 140/1		RUB201150
115.00	140.00	23.00	127.50		RSS 115 140		RUB301150
120.00	130.00	15.00	125.00	MU/P 130120/S	RSS 120 130		RUB001200
120.00	135.00	16.00	127.50	MU/P 135120	RSS 120 135		RUB301200
120.00	140.00	13.00	130.00	MU/P 140120			RUB401200
120.00	140.00	16.00	130.00		RSS 120 140	RUB201200	RUB201200
125.00	140.00	12.00	132.50	MU/P 140125	RSS 125 140		RUB001250
125.00	140.00	16.00	132.50		RSS 125 140/1		RUB101250
125.00	145.00	16.00	135.00		RSS 125 145		RUB201250
125.00	145.00	19.00	135.00		RSS 125 145.-1		RUB301250
125.00	155.00	16.00	140.00		RSS 125 155		RUB401250
130.00	150.00	16.00	140.00		RSS 130 150		RUB001300
135.00	150.00	16.00	142.50		RSS 135 150	RUB201350	RUB201350
135.00	155.00	16.00	145.00		RSS 135155		RUB301350
135.00	160.00	16.00	147.50		RSS 135 160		RUB401350
140.00	155.00	16.00	147.50		RSS 140 155/A1		RUB101400
140.00	160.00	13.00	150.00		RSS 140 160/1		RUB201400
140.00	160.00	16.00	150.00		RSS 140 160		RUB301400
141.00	151.00	15.00	146.00	MU/P 151141/S			RUB001410
145.00	165.00	16.00	155.00		RSS 145 165		RUB001450
148.00	160.00	10.50	154.00	MU/P 160148			RUB001480
150.00	160.00	13.00	155.00	MU/P 160150			RUB201500
150.00	170.00	16.00	160.00		RSS 150 170		RUB301500
150.00	170.00	19.00	160.00		RSS 150 170/1		RUB101500
154.00	169.00	12.00	161.50	MU/P 169154			RUB001540
160.00	180.00	16.00	170.00		RSS 160 180	RUB001600	RUB001600
162.00	172.00	15.00	167.00	MU/P 172162/S			RUB001620
170.00	200.00	19.00	185.00		RSS 170200		RUB001700
170.00	190.00	16.00	180.00		RSS 170 190		RUB101700

U-Cup



Rod/Groove Dia.	Bore/Groove Dia.	Groove Width	Fitting Dia.	Polypac Ref. No.	Sealing Parts Ref. No.	B+S Ref. No.	Part. No.
d_N h9	D1 H11	L + 0.2	d2	Material Code			
d1 h11	D _N H9			UAT60	WU9L3	WUAQ3	
175.00	200.00	16.00	187.50		RSS 175200		RUB001750
180.00	200.00	16.00	190.00		RSS 180200		RUB001800
180.00	220.00	21.00	200.00		RSS 180220		RUB101800
183.00	193.00	15.00	188.00	MU/P 193183/S			RUB001830
187.00	202.00	12.00	194.50	MU/P 202187			RUB001870
200.00	225.00	19.00	212.50		RSS 200 225		RUB002000
207.00	217.00	15.00	212.00	MU/P 217207/S			RUB002070
220.00	250.00	19.00	235.00		RSS 220 250	RUB002200	RUB002200
225.00	245.00	16.00	235.00		RSS 225 245		RUB002250
231.00	241.00	15.00	236.00	MU/P 241231/S			RUB002310
245.00	270.00	16.00	257.50		RSS 245 270		RUB002450
254.00	264.00	15.00	259.00	MU/P 264254/S			RUB002540
265.00	290.00	18.00	277.50		RSS 265 290		RUB002650
270.00	290.00	18.00	280.00		RSS 270 290		RUB002700
270.00	300.00	16.00	285.00		RSS 270 300		RUB102700
280.00	290.00	15.00	285.00	MU/P 290280/S			RUB002800
280.00	300.00	16.00	290.00		RSS 280 300		RUB102800
305.00	320.00	18.00	312.50		RSS 305 320		RUB003050
360.00	390.00	23.00	375.00		RSS 360 390		RUB003600